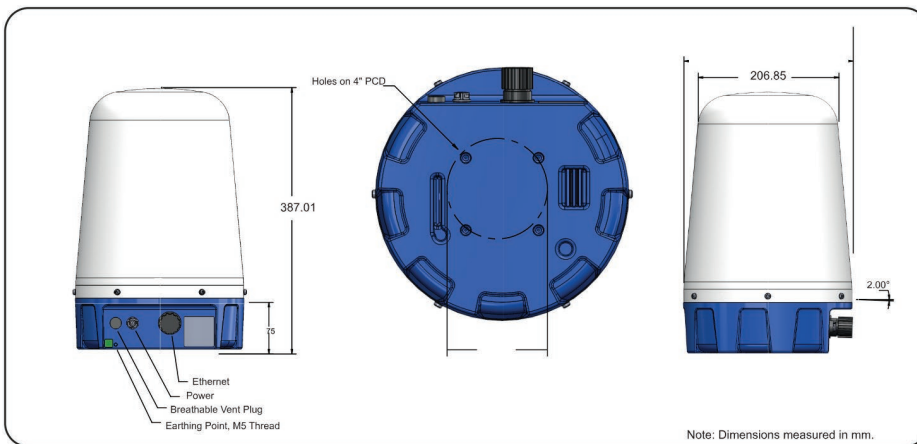




Navtech ClearWay 360 Radar

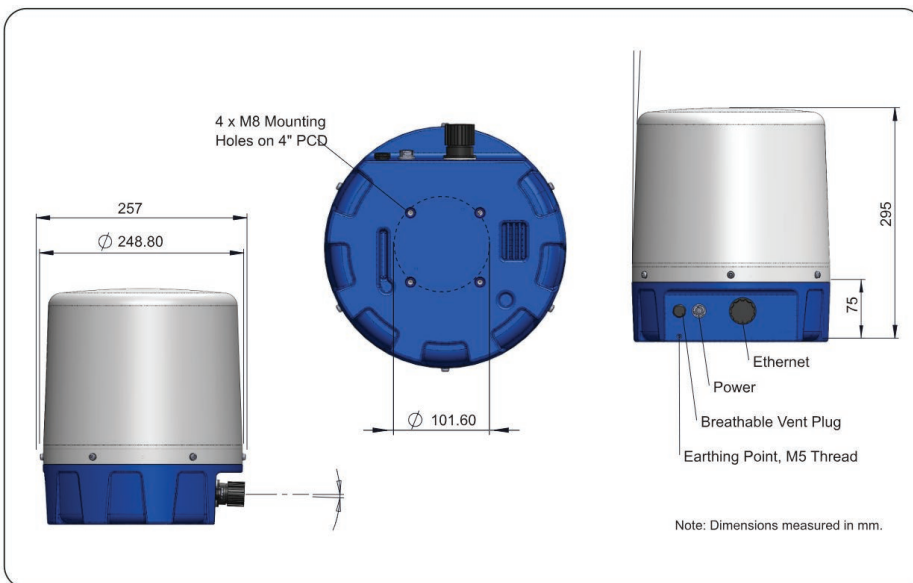
ClearWay is easy to configure through its intuitive user interface. Alarms are rules-based and can be set up on individual incidents occurring such as a stopped vehicle, or they can be more specific such as a stopped vehicle in a particular lane or zone. There can be multiple rules-based alarms and multiple zones. Operating profiles can be set up and switched at the click of a mouse to respond to contraflows or maintenance situations.

ClearWay can be configured to work with PTZ Cameras, providing the operator with the radar's picture on an overhead map, as well as live video-feed of the highway. When an incident is picked up by ClearWay, it automatically guides the cameras nearest to the location to focus on the item of interest. This provides the operator with better knowledge of what the incident is and what is occurring. By having both an overhead map and real-time video feed, the operator can make better decisions on managing the situation as they have a better understanding as to what is taking place.



Compact Sensors

- ✓ Uninterrupted operation in all weather, lighting and environmental conditions
- ✓ Zero maintenance or cleaning with a five-year service interval
- ✓ High-resolution imaging and 360° scanning capability
- ✓ Proven to withstand extreme temperatures, vibrations, impact, dust, debris and water
- ✓ Option of on board processing reduces infrastructure and bandwidth requirements
- ✓ Compact design allows for easy shipping, handling and installation
- ✓ Sensor mounts directly to mounting plate for simple installation and servicing



Models	CTS350-X	CTS350-I	CTS175-X	CTS175-I
Indicative Range	500m	500m	175m	175m
Update Rate	4 Hz	4 Hz	4 Hz	4 Hz
Mounting Orientation	Upright	Inverted	Upright	Inverted

Specifications	CTS Sensors
Operating Frequency	76 - 77 GHz
Range Resolution	17.5 cm
Azimuth Beamwidth	1.8°
Elevation Beamwidth	Spreadbeam
Measurement Rate	400 per rotation
Field of View	360°
Safe Working Distance (from radome)	0cm
Data Connection	1 Gbps Ethernet
Power Supply	24 Volts DC or POE+
Power Consumption	24 Watts
Weight	6 Kg
Mounting Height	4 -5 metres
Operating Temperature	-20°C to + 60°C
Environmental Compliance	IP 67BS EN 60068-2-52:1996 Test Kb Severity 3 CE Marked EN 301 091-2V1.3.2 EN301 489-3V1.4.1 EN301 489-3V1.9.2 IEC 60950-1 IEC 60950-22
Patents	Patent No.: GB 2 518 344 International Application No.: PCT/GB2014/052018